
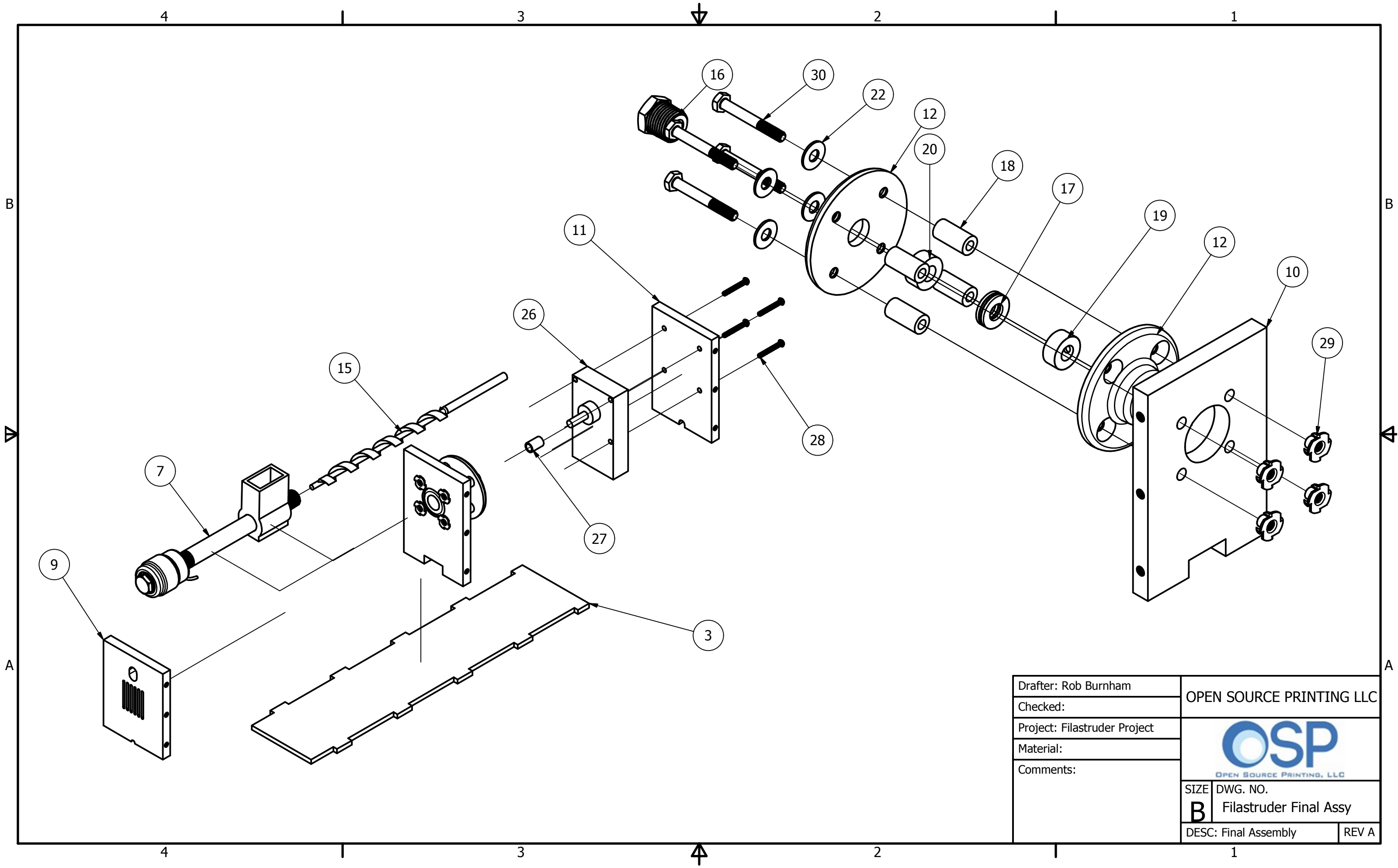



PARTS LIST			
ITEM	QTY	PART NUMBER	DESCRIPTION
1	1	OSP003	Left Side Panel
2	1	OSP004	Right Side Panel
3	1	OSP005	Bottom Panel
4	1	OSP008	Back Top Panel
5	1	OSP009	Front Top Panel
6	22	SM1002	8-32 1/2" screw
7	1	OSP105	HotEnd Assy
8	1	OSP017	Fan Assy
9	1	OSP016	Front Panel Assy
10	1	OSP015	Center Panel assy
11	1	OSP014	Back wall assy
12	2	A1014	Flange
14	1	A1015	PID CONTROLLER
15	1	A1016	Auger
16	1	A1017	Pipe Bushing
17	1	A1004	Thrust bearing
18	4	A1010	1/4" Nylon spacer
19	1	A1002	3/8 shaft collar
20	1	A1018	Nylon Bushing
22	4	SM1005	1/4 washer
23	2	A1019	Rocker Switch
24	1	A1008	K Thermocouple
26	1	A1024	12V Motor
27	1	A1021	9mm Hex Socket
28	4	SM1006	10-32 1.5" screw
29	4	A1022	1/4-20 T Nut
30	4	SM1007	1/4-20 2" Bolt

REVISION HISTORY				
ZONE	REV	DESCRIPTION	DATE	APPROVED
	A		3/31/2013	

Drafter: Rob Burnham	
Checked:	
Project: Filastruder Project	
Material:	
Comments:	SIZE: B DWG. NO.: Filastruder Final Assy DESC: Final Assembly REV A



Drafter: Rob Burnham	OPEN SOURCE PRINTING LLC						
Checked:	 <small>OPEN SOURCE PRINTING, LLC</small>						
Project: Filastruder Project							
Material:							
Comments:	<table border="1"> <tr> <td>SIZE</td> <td>DWG. NO.</td> </tr> <tr> <td>B</td> <td>Filastruder Final Assy</td> </tr> <tr> <td>DESC: Final Assembly</td> <td>REV A</td> </tr> </table>	SIZE	DWG. NO.	B	Filastruder Final Assy	DESC: Final Assembly	REV A
SIZE	DWG. NO.						
B	Filastruder Final Assy						
DESC: Final Assembly	REV A						